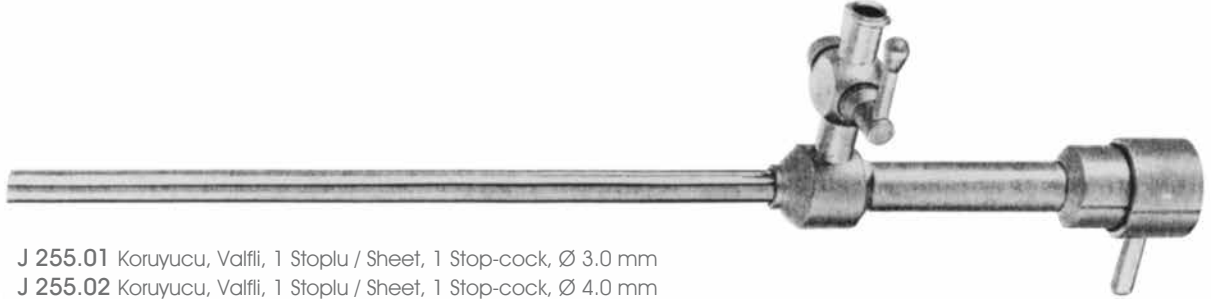


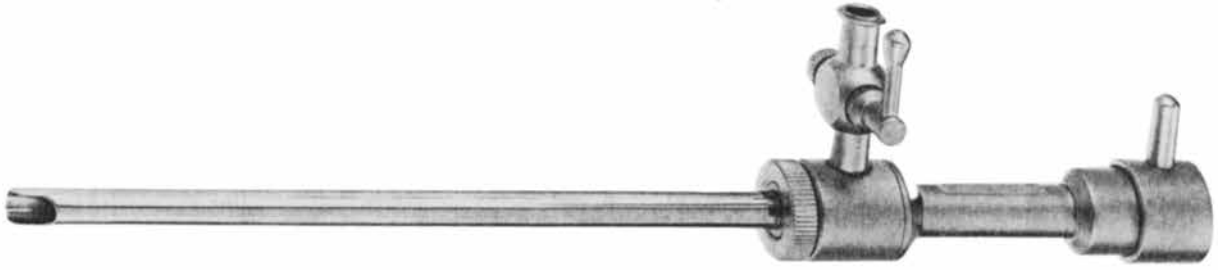
TROKARLAR
TROCARS

Endoskopi (Artroskopi)/ Endoscopy (Arthroscopy Surgery) - **EN**

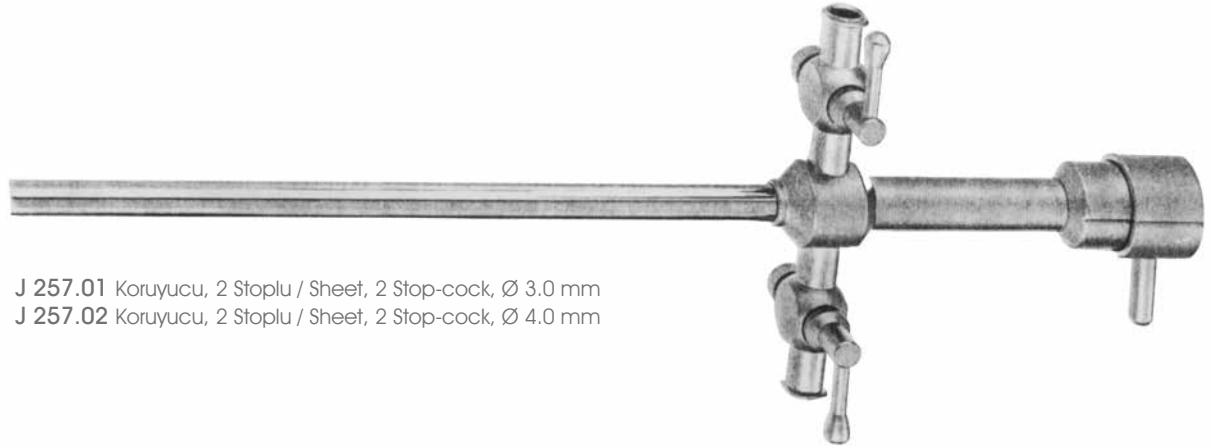




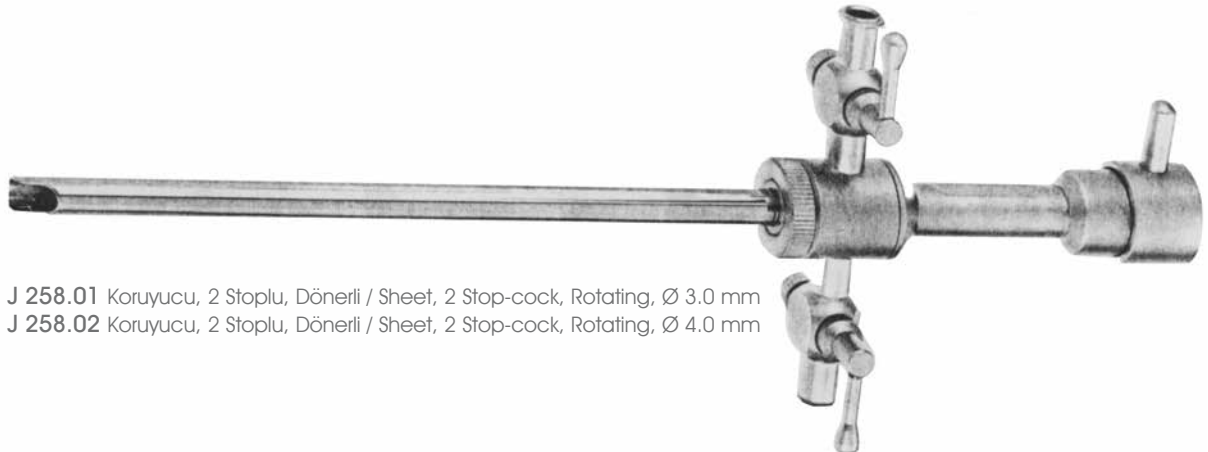
J 255.01 Koruyucu, Valfli, 1 Stoplu / Sheet, 1 Stop-cock, Ø 3.0 mm
J 255.02 Koruyucu, Valfli, 1 Stoplu / Sheet, 1 Stop-cock, Ø 4.0 mm



J 256.01 Koruyucu, 1 Stoplu, Dönerli / Sheet, 1 Stop-cock, Rotating, Ø 3.0 mm
J 256.02 Koruyucu, 1 Stoplu, Dönerli / Sheet, 1 Stop-cock, Rotating, Ø 4.0 mm



J 257.01 Koruyucu, 2 Stoplu / Sheet, 2 Stop-cock, Ø 3.0 mm
J 257.02 Koruyucu, 2 Stoplu / Sheet, 2 Stop-cock, Ø 4.0 mm



J 258.01 Koruyucu, 2 Stoplu, Dönerli / Sheet, 2 Stop-cock, Rotating, Ø 3.0 mm
J 258.02 Koruyucu, 2 Stoplu, Dönerli / Sheet, 2 Stop-cock, Rotating, Ø 4.0 mm