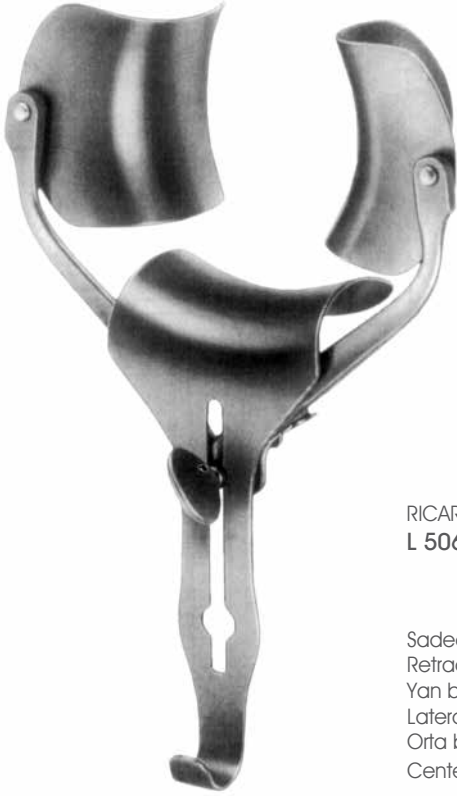


ÇEMBER EKARTÖRLER
RING RETRACTORS

Genel Cerrahi / General Surgery - **GN**



32 cm


RICARD
L 506.00-L 506.01

Sadece ekartör Retractor only	L 506.00 L 506.04	L 506.01 L 506.04
Yan bleyd (çift) Lateral blades (pair)	L 560.05 58 x 80 mm	L 560.06 72 x 84 mm
Orta bleyd Center blade	L 580.10 54 x 70 mm	L 580.11 72 x 90 mm

26.5 cm

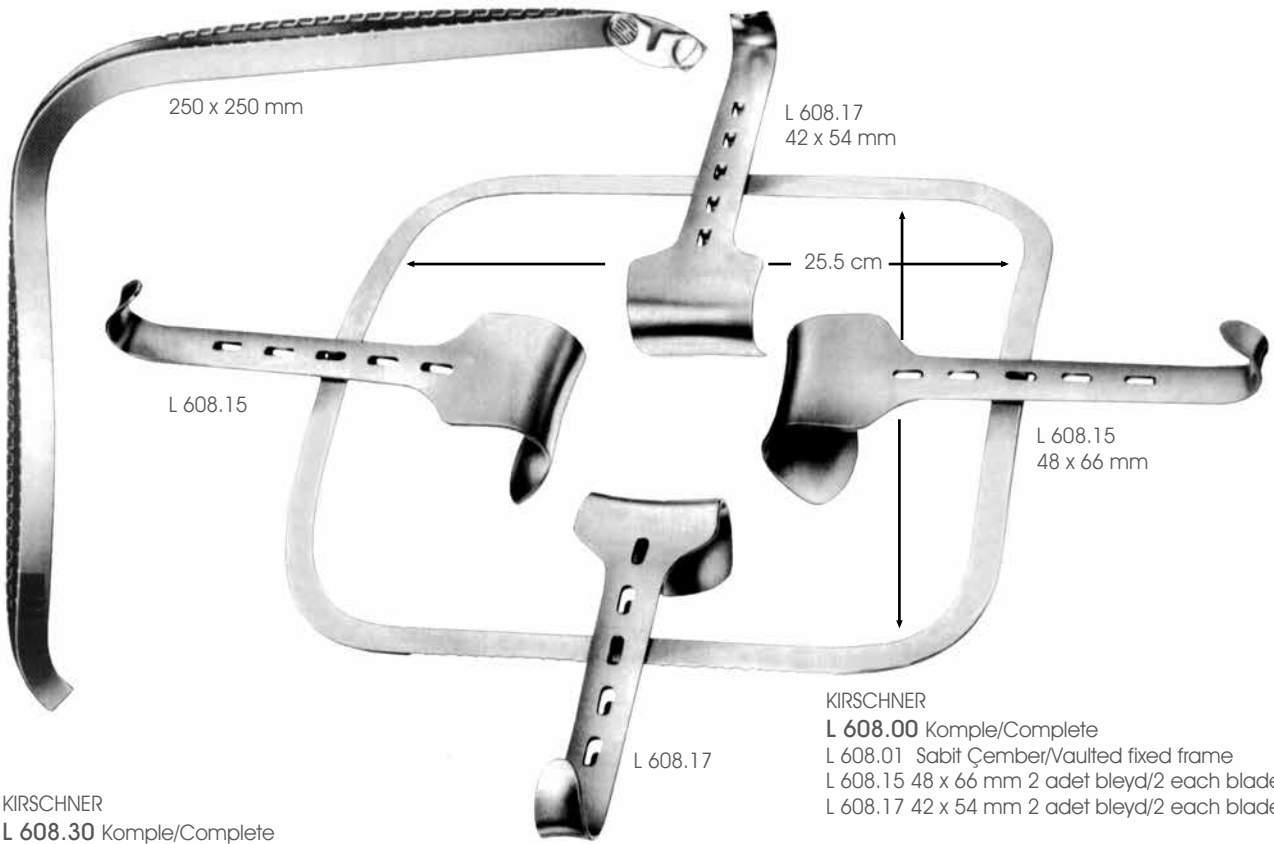

ROBIN-MASSE
L 505.00
 Komple/Complete

Sadece ekartör Retractor only	L 505.01
Yan bleyd (çift) Lateral blades (pair)	L 560.00 37 x 62 mm
Orta bleyd Center blade	L 580.08 38 x 68 mm

27.5 cm


HOLZBACH
L 508.00
 Komple/Complete

Sadece ekartör Retractor only	L 508.01
Yan bleyd (çift) Lateral blades (pair)	L 560.07 59 x 80 mm
Orta bleyd Center blade	L 580.16 74 x 82 mm



KIRSCHNER

L 608.30 Komple/Complete

L 608.31 Katlanabilir/Holding frame

L 608.15 48 x 66 mm 2 adet bleyd/2 each blades

L 608.17 42 x 54 mm 2 adet bleyd/2 each blades

KIRSCHNER

L 608.00 Komple/Complete

L 608.01 Sabit Çember/Vaulted fixed frame

L 608.15 48 x 66 mm 2 adet bleyd/2 each blades

L 608.17 42 x 54 mm 2 adet bleyd/2 each blades

L 608.04 275 x 355 mm

Büyük ölçekli çember

Frame only, over-sized

L 608.06 295 x 275 mm

Sadece Çember/Frame only



KIRSCHNER

L 608.50

64 x 80 mm



KIRSCHNER-BALFOUR

L 608.52

80 x 82 mm



KIRSCHNER

L 608.54

90 x 69 mm

L 608.56

95 x 95 mm

L 608.58

78 x 58 mm



KIRSCHNER

L 608.64

108 x 42 mm

L 608.66

91 x 55 mm

L 608.68

120 x 55 mm

