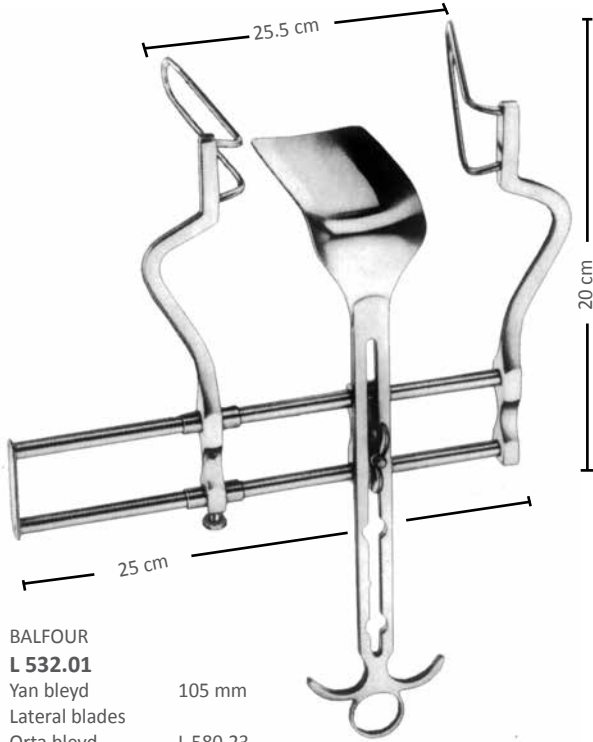


**OTOMATİK BATIN EKARTÖRLER**  
SELF-RETAINING ABDOMINAL RETRACTORS

Jinekoloji / GYNAECOLOGY - **JN**





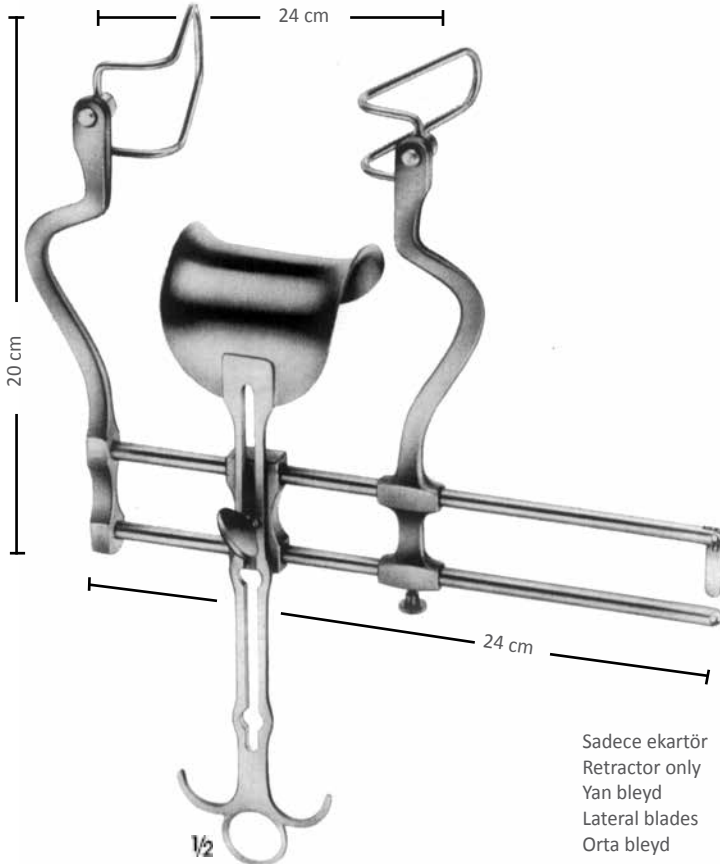
**BALFOUR**  
**L 532.01**  
 Yan bleyd 105 mm  
 Lateral blades  
 Orta bleyd L 580.23  
 Center blade 107 x 59 mm



**L 580.30**  
 Orta bleyd  
 Center blade  
 54 x 80 mm



**L 580.40**  
 Orta bleyd, prostatektomi için kanallı 75 x 80 mm  
 Center blade, slotted for retropubie prostatectomy  
 75 x 80 mm



**BALFOUR**  
**L 534.00-L 534.03**  
 Komple/Complete

Sadece ekartör  
 Retractor only  
 Yan bleyd  
 Lateral blades  
 Orta bleyd  
 Center blade

<b>L 534.00</b>	<b>L 534.01</b>	<b>L 534.02</b>	<b>L 534.03</b>
L 534.20	L 534.20	L 534.20	L 534.20
L 560.10	L 560.11	L 560.12	L 560.13
50 mm	60 mm	75 mm	90 mm
L 580.25	L 580.26	L 580.27	L 580.27
47 x 80 mm	62 x 76 mm	80 x 80 mm	80 x 80 mm



**L 560.10** 50 mm  
**L 560.11** 60 mm  
**L 560.12** 75 mm  
**L 560.13** 90 mm  
 Yan Bleyd/Lateral Blades