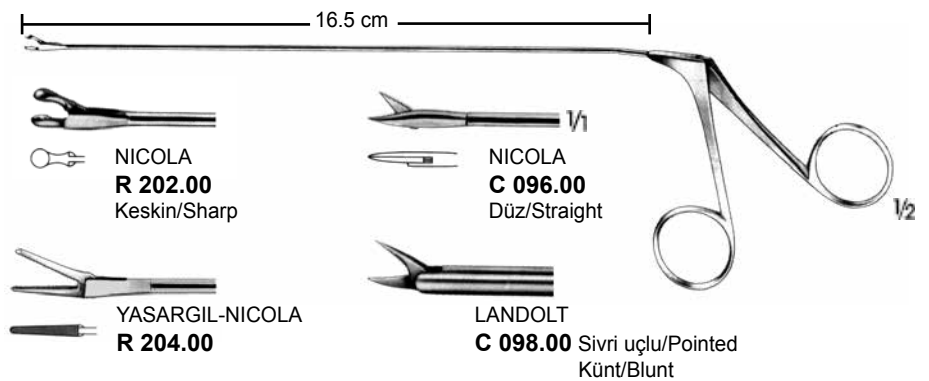
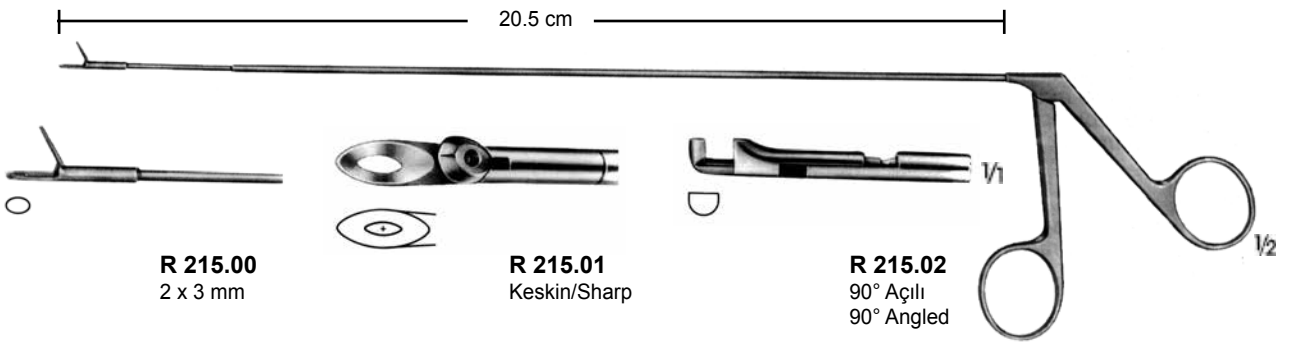
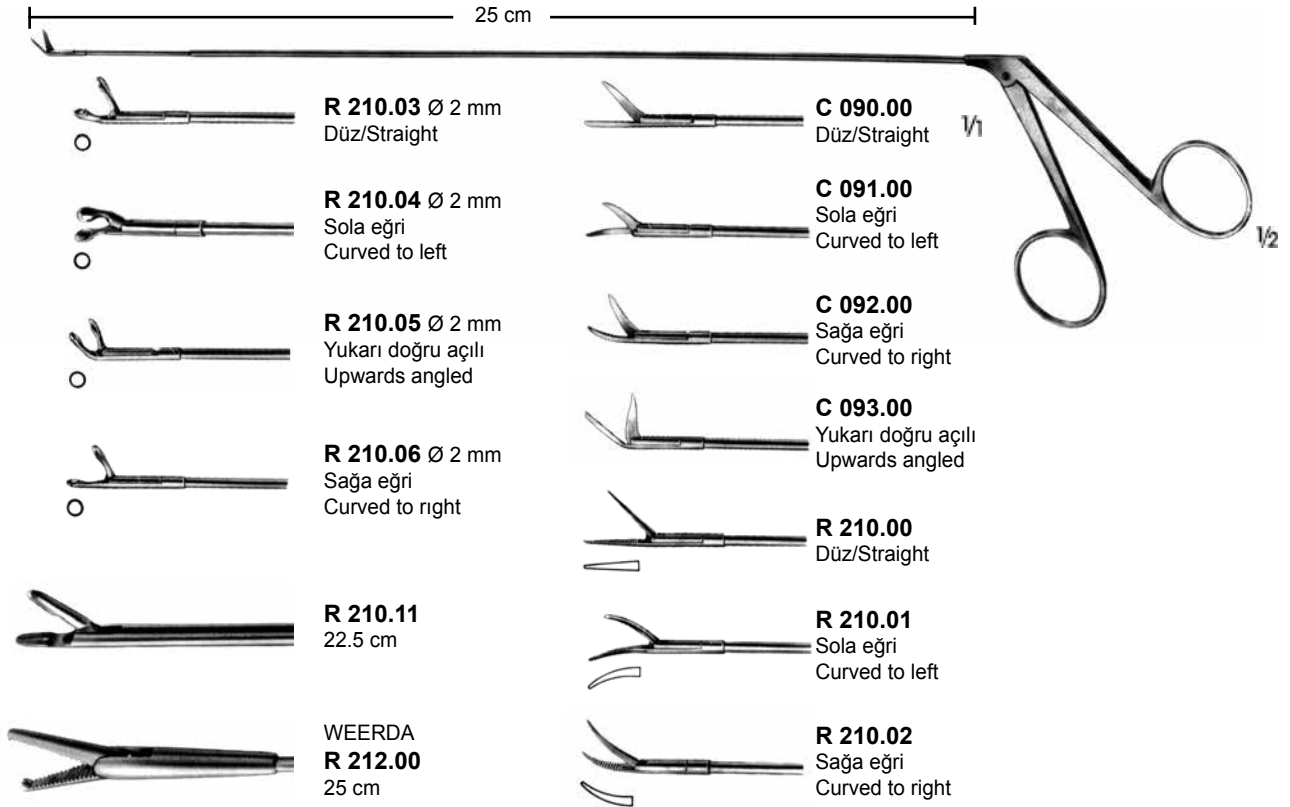
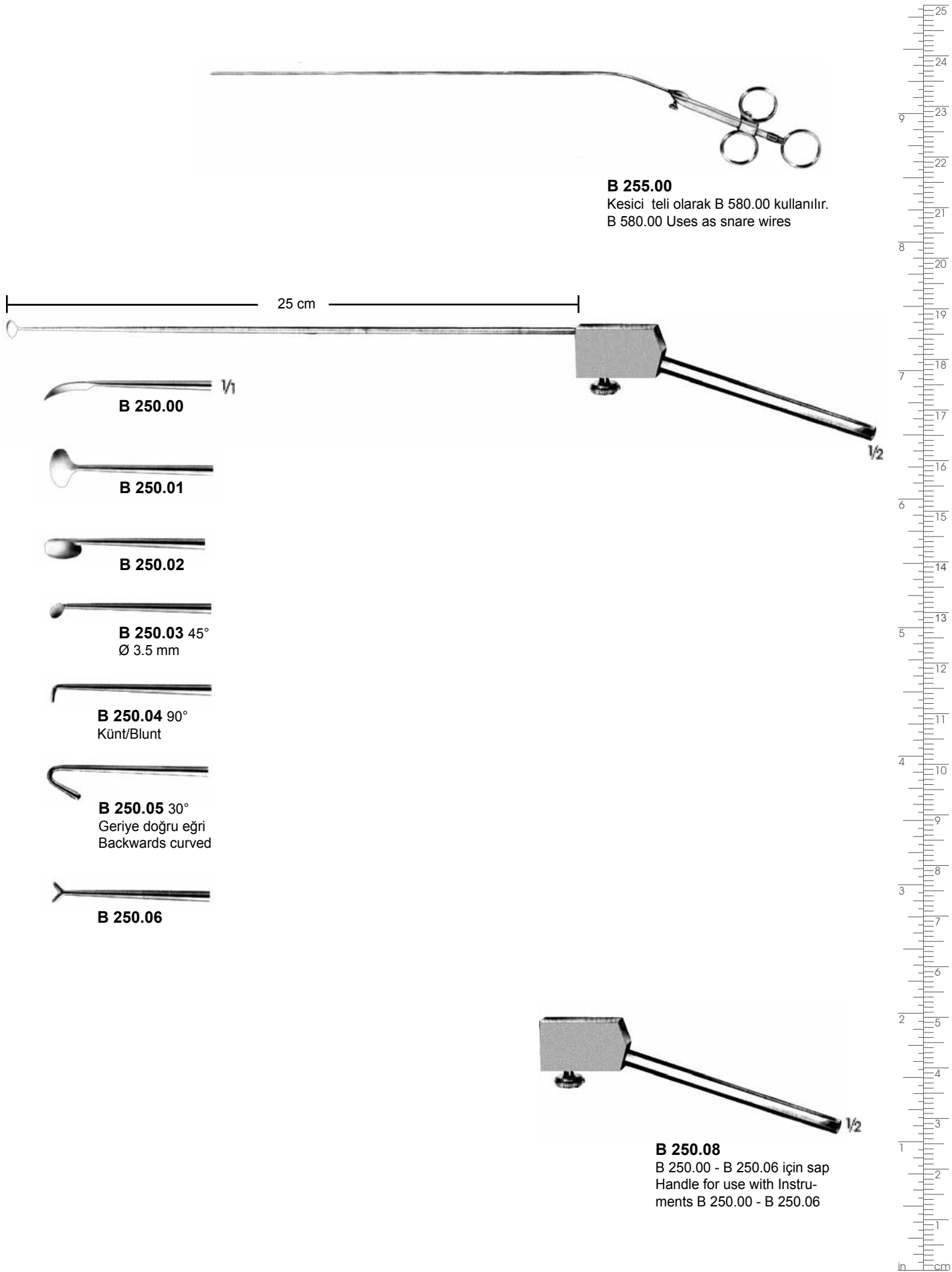


MİKRO LARİNGS PENSİLER, BİÇAKLAR, MAKASLAR
MICRO LARYNGEAL FORCEPS, KNIVES, SCISSORS

Kulak, Burun, Boğaz Cerrahi / Ear, Nose, Throat Surgery - **KBB**







B 255.00
Kesici teli olarak B 580.00 kullanılır.
B 580.00 Uses as snare wires

25 cm

B 250.00

B 250.01

B 250.02

B 250.03 45°
Ø 3.5 mm

B 250.04 90°
Kunt/Blunt

B 250.05 30°
Geriye doğru eğri
Backwards curved

B 250.06

B 250.08
B 250.00 - B 250.06 için sap
Handle for use with Instru-
ments B 250.00 - B 250.06

