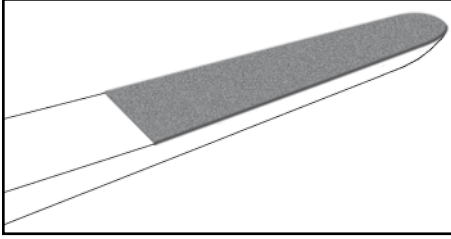


DIAMOTE MIKRO PENSET
DIAMOTE MICRO FORCEPS

Kalp Damar ve Göğüs Cerrahi/ Cardiovascular and Thoracic Surgery - **KR**




















DIAMOTE ağızlar, daha sert ve aşınmaya dayankılı yüzeyler sağlar.
DIAMOTE ağızlar, hassas iğne, suture ve dokuların güvenilir bir şekilde kavranmasını garanti eder.

DIAMOTE jaws provide harder and more wear resistant surfaces.
DIAMOTE jaws ensure reliable grip of fine needles, sutures and tissues.



					
Ø 1.0 mm	Ø 1.0 mm	Ø 1.0 mm	Ø 1.0 mm	Ø 2.0 mm	Ø 1.0 mm
 18.5 cm D 601.03 21 cm D 601.05 Platform tip, düz Platform tip, straight	 D 602.03 D 602.05 Düz/Straight	 D 604.03 D 604.05 Eğri/Curved	 15 cm D 606.01 18.5 cm D 606.03 21 cm D 606.05 23 cm D 606.06 25 cm D 606.08 Düz/Straight	 - D 606.13 - - - Düz/Straight	 D 608.01 D 608.03 D 608.05 D 608.06 D 608.08 Eğri/Curved
D 601.03-D 604.05			D 606.01-D 608.08		
					
Ø 2.5 mm	Ø 2.5 mm	Ø 1.2 mm	Ø 1.2 mm	Ø 1.2 mm	Ø 1.2 mm
 D 618.03 18 cm	 D 618.05 20 cm	 D 615.01 18 cm	 D 615.03 22 cm		
D 618.03-D 618.05					