

**MİKRO LUMBAR DİSKEKTOMİ EKARTÖR SİSTEMLERİ**  
MICRO LUMBAR DISCECTOMY RETRACTOR SYSTEM

Beyin Cerrahi / Neurosurgery - **NR**



HARDCOATED



L 486.02  
40 mm

L 486.03  
45 mm

L 486.04  
50 mm

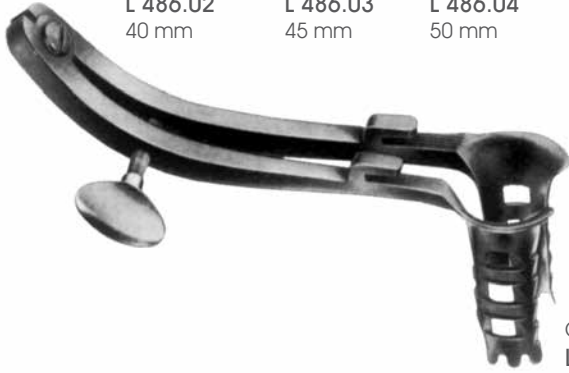
L 486.05  
55 mm

L 486.06  
60 mm

L 486.07  
65 mm

L 486.09  
75 mm

L 486.11  
85 mm



CASPAR  
L 486.02-L 486.11



L 487.05  
35 mm

L 487.06  
40 mm

L 487.07  
45 mm

L 487.08  
50 mm

L 487.09  
55 mm

L 487.10  
60 mm

L 487.11  
65 mm

L 487.13  
75 mm

L 487.15  
85 mm



L 488.06  
40 mm

L 488.07  
45 mm

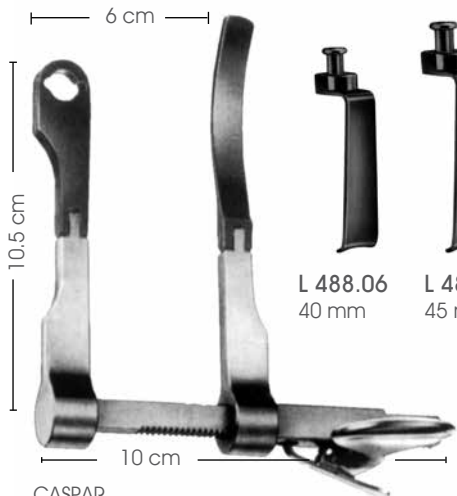
L 488.08  
50 mm

L 488.09  
55 mm

L 488.10  
60 mm

L 488.11  
65 mm

L 488.12  
70 mm

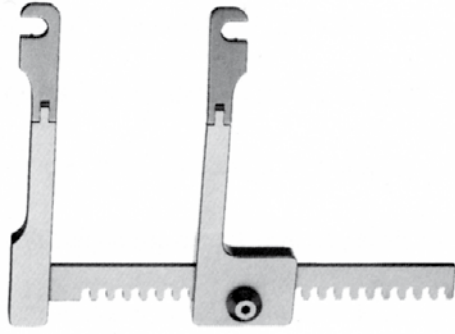


L 487.01 Sadece ekartör  
Retractor only



D 610.00  
Bleyd tutma  
pensi  
Blade ejector  
forcep  
11.5 cm

- CASPAR  
L 487.00 Komple/Complete  
L 487.01  
D 610.00  
L 486.02-L 486.11  
L 487.05-L 487.15  
L 488.06-L 488.12



**L 901.00**  
Sadece ekartör, V 644.00P ile birlikte  
Retractor only, with key V 644.00P



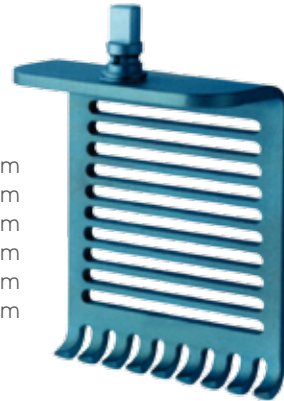
**V 644.00P**  
Tornavida/Screwdriver  
15 cm



L 470.20T 20 x 35 mm  
L 470.21T 20 x 40 mm  
L 470.22T 20 x 45 mm  
L 470.23T 20 x 55 mm  
L 470.24T 20 x 65 mm  
Titanyum bleyd  
Blades titanium



L 470.30T 40 x 35 mm  
L 470.31T 40 x 40 mm  
L 470.32T 40 x 45 mm  
L 470.33T 40 x 55 mm  
L 470.34T 40 x 65 mm  
L 470.35T 40 x 75 mm  
Titanyum bleyd  
Blades titanium



L 470.40T 60 x 35 mm  
L 470.41T 60 x 40 mm  
L 470.42T 60 x 45 mm  
L 470.43T 60 x 55 mm  
L 470.44T 60 x 65 mm  
L 470.45T 60 x 75 mm  
L 470.46T 60 x 85 mm  
Titanyum bleyd  
Blades titanium



**L 463.50T** 38 mm  
Hemi-Laminektomi huk, küçük  
Hemi-Laminektomi hook, small



**L 463.52T** 58 mm  
Hemi-Laminektomi huk, büyük  
Hemi-Laminektomi hook, large



**T 995.00P**  
Ekartör bleydleri yerleştirme kolu  
Handle for positioning of the  
retractor blades

